

Dome Light IDD-K IDD-AT

DC 24V products available

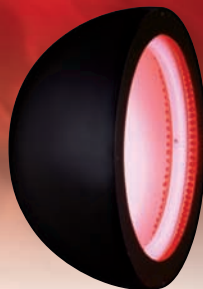
Reflection type uniform irradiation



IDD-K

The LED light is emitted inside a dome and only the reflected light is irradiated onto a work; therefore, the shadow of the LED element is not projected on the work. This is effectively used when irradiating light on a work at a close-up distance and at various angles.

Reflection dome



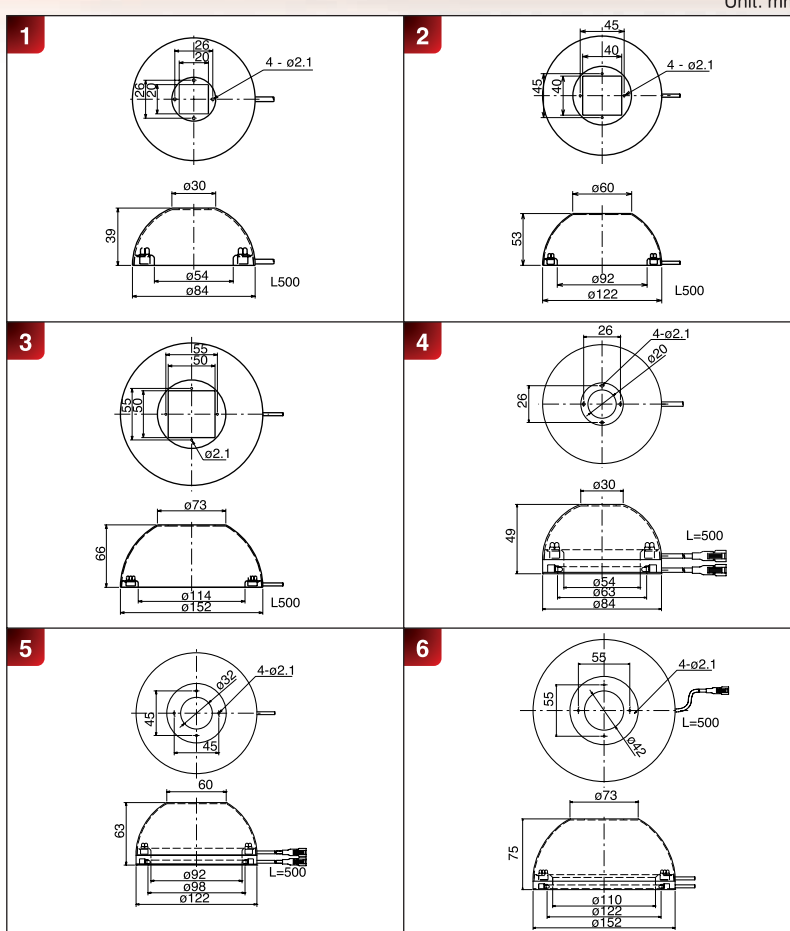
IDD-AT

IDD-AT is an integrated model that horizontal opposed ring light is mounted to a reflection dome lighting device. All sides of a cubic work can be irradiated uniformly by irradiating at various angles with a dome, and irradiating laterally with a horizontal ring. The dome light and horizontal opposed light have respective circuits, and the light can be controlled independently.

Reflection dome + Horizontal opposed ring

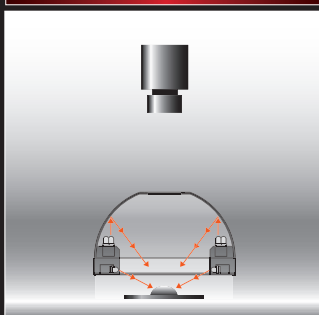
Model (12V)	Irradiating color	Number of LEDs	Power Consumption (W)	SAG (°)	Outline drawing	Model (24V)
IDD-K80R	R	96	3.9	70	1	IDD-K80RHV
IDD-K80DW	W	72	5.8	FF		IDD-K80WHV
IDD-K80	B/G	72	5.8	DE		IDD-K80 HV
IDD-K120R	R	156	6.3	72	2	IDD-K120RHV
IDD-K120DW	W	120	9.6	FF		IDD-K120WHV
IDD-K120	B/G	120	9.6	FF	3	IDD-k120 HV
IDD-K150R	R	270	10.8	75		IDD-K150RHV
IDD-K150DW	W	216	17.3	FF		IDD-K150WHV
IDD-K150	B/G	216	17.3	F4	4	IDD-K150 HV
IDD-AT80R	R	144	5.9	-		IDD-AT80RHV
IDD-AT80DW	W	120	9.8	-		IDD-AT80WHV
IDD-AT80	B/G	120	9.8	-	5	IDD-AT80 HV
IDD-AT120R	R	233	9.5	-		IDD-AT120RHV
IDD-AT120DW	W	197	15.9	-	6	IDD-AT120WHV
IDD-AT120	B/G	197	15.9	-		IDD-AT120 HV
IDD-AT150R	R	366	14.7	-		IDD-AT150RHV
IDD-AT150DW	W	318	25.5	-	6	IDD-AT150WHV
IDD-AT150	B/G	318	25.5	-		IDD-AT150 HV

Unit: mm

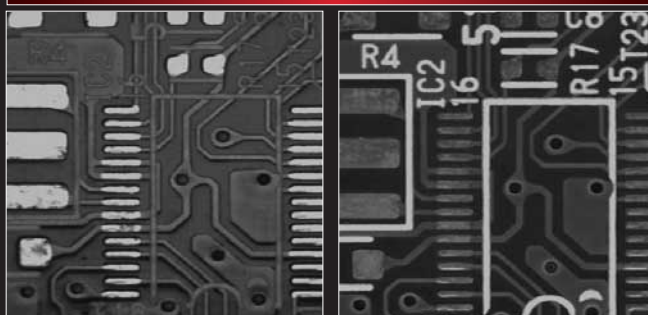


represents B = blue, or G = green.
 In addition to the square bore top plane type, the round bore top plane type IDD-K model is also available.
 In this case, the model name has an extension of "L" at the end.
 Top plane dimension (Dimensions other than of the top plane are the same as those of the square bore type)
 • IDD-K80 -L : $\phi 20$ mm
 • IDD-K120 -L : $\phi 32$ mm
 • IDD-K150 -L : $\phi 42$ mm
 Number of LEDs, power consumption, SAG value, and outline drawing are for DC12V products. Please contact us for specifications of DC24V products.
 * SAG represents the maximum SAG setting value. For details, refer to page 54.

Example of use



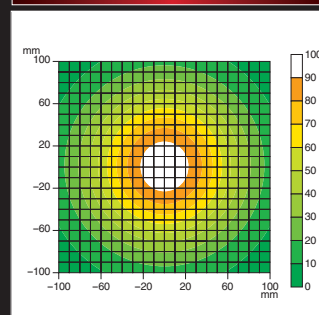
Example of the Image Photographed



The soldered section can be recognized with coaxial lighting
 Work: Printed board
 Light: IFV-C50DW

The character and print section can be recognized with dome lighting.
 Work: Printed board
 Light: IDD-K150DW

Luminance distribution



Super-uniform irradiation can be made at a close-up distance.
 Measurement model: IDD-K150DW
 WD: 10mm