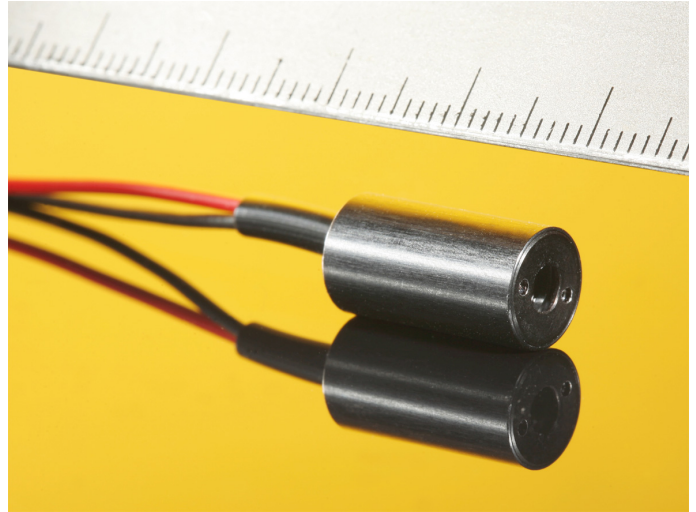


FLEXPOINT® Laser Diode Modules: The MINI Series

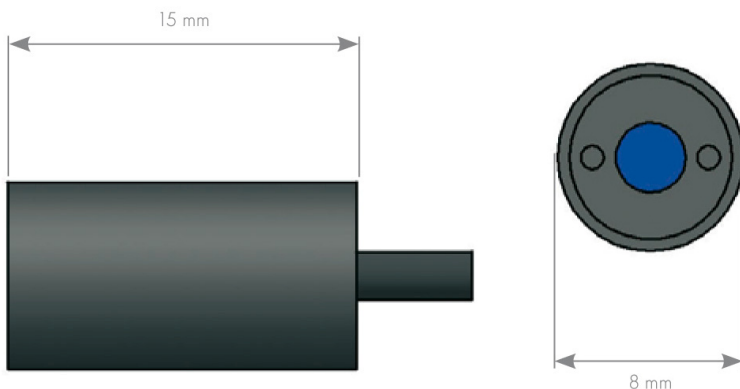
- Smallest Design – Highest Quality -

The FLEXPOINT® laser diode module MINI series is characterized by an extremely small design. This allows the modules to be integrated into systems with practically no available space. The modules are equipped with a variable lens that can be adjusted to focus or collimate a laser beam. The MINI series is available at two different power levels.



SPECIFICATIONS

Beam profile	Dot laser
Wavelength	635 nm / 650 nm
Output power	1 mW or 4.9 mW
Power stability	<5%
Beam diameter at output	Approx. 2.5 mm x 0.8 mm, focusable
Divergence	<1.5 mrad
Supply voltage	4.5 – 6 VDC
Power consumption	<50 mA
Dimensions	15 mm x 8 mm (l x Ø)
Housing	Aluminum, black anodized, potential-free
Length of wires	500 mm
Protection circuits	Surge, voltage peak, and reverse voltage protection
Operating temperature	0°C - 50°C (635 nm: 0°C - 40°C)
Storage temperature	-10°C - 85°C
Options	Analog or digital modulation up to 10 kHz Power adjustment using a control wire



09/10 / V2 / HW / blau/ fp-mini_e.doc

