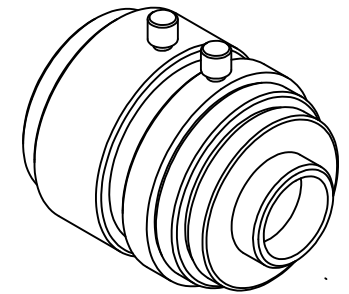
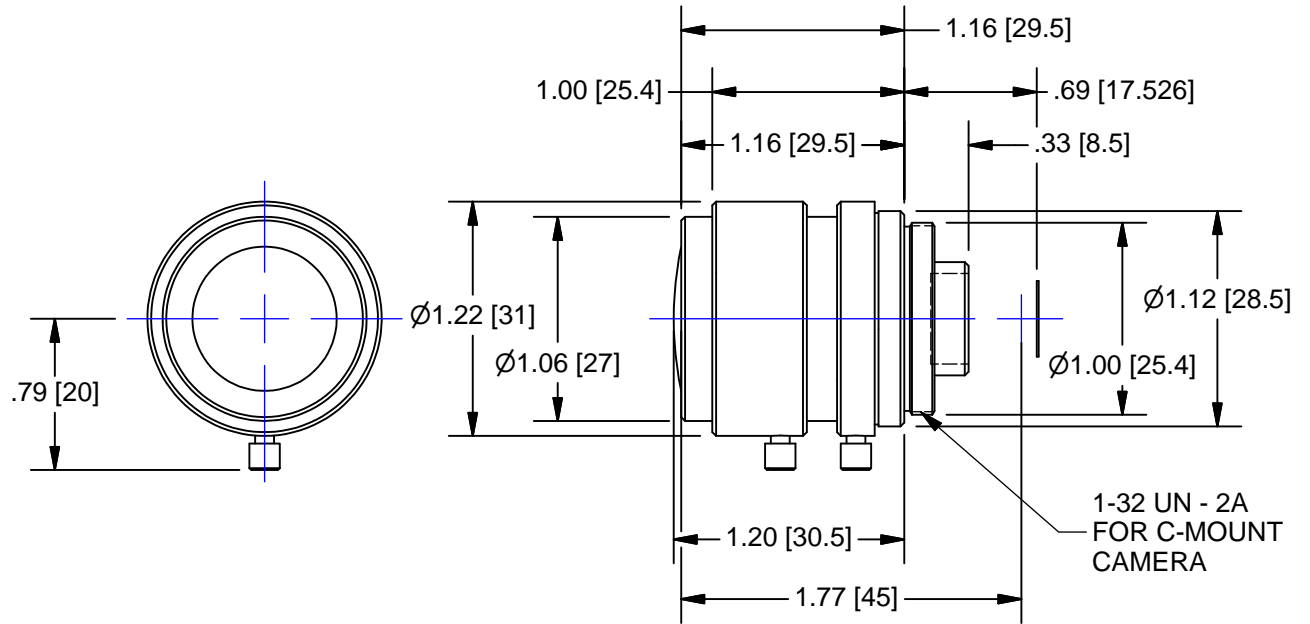


LENS SPECIFICATIONS - NMV4WA	
Specification	Value - 1/2"
Focal length	f=3.5mm+/-5%
Max. Diameter (Ratio)	F=1:1.4+/-5%
Element	6 Group 7 Elements
Picture Size	4.8 X 6.4mm
Angle - Horizontal Vertical Diagonal	76.6 103.6 132.1
Distortion (TV)	-28%
Shooting Range @ M.O.D. - Horizontal Verical Diagonal	247 mm 396 mm 688 mm
Minimum Object Distance	0.2m
Flange Back	17.526 mm in air
Back Focus	8.89 mm in air
Effective Diameter - Front - Rear -	19.6 mm dia. 10.4 mm dia.
Mount	C - Mount
Exit Pupil	-71.4 mm
Temperature Range	-10 ~ +45 deg. C
Strong Temperature Range	-40 ~ +60 deg. C
Resolution - Center - Cornter	100 Line/mm 60 Line/mm
Stopper Strength	10 kgf * cm
Endurance Tests - Iris - Focus -	5000 Times 5000 Times
Operating Torque - Iris - Focus -	50 ~ 600 gf * cm 100 ~ 1000 gf * cm
Weight -	73g+/-5g



OUTLINE

UNLESS OTHERWISE SPECIFIED DIMENSIONS ARE IN INCHES AND INCLUDE CHEMICALLY APPLIED OR PLATED FINISHES	
SCALE:	1:1
WEIGHT:	See Table
DR:	BE
CH:	
PROJECT #:	
DATE DR:	7/10/2007

THE CONTENTS OF THIS DOCUMENT ARE PROPRIETARY TO NAVITAR, ITS USE IS AUTHORIZED ONLY FOR RESPONDING TO REQUEST FOR QUOTATION OR PERFORMANCE OF WORK FOR NAVITAR	
0.0	1.0
inch	
0.0	25.0
mm	
DO NOT SCALE DRAWING	

 ROCHESTER, NEW YORK		
LENS, 3.5mm FL, WD. ANG., 1/2", f/1.4		
SIZE	NMV - 4WA	REV
A		A
SHEET 1 OF 1		