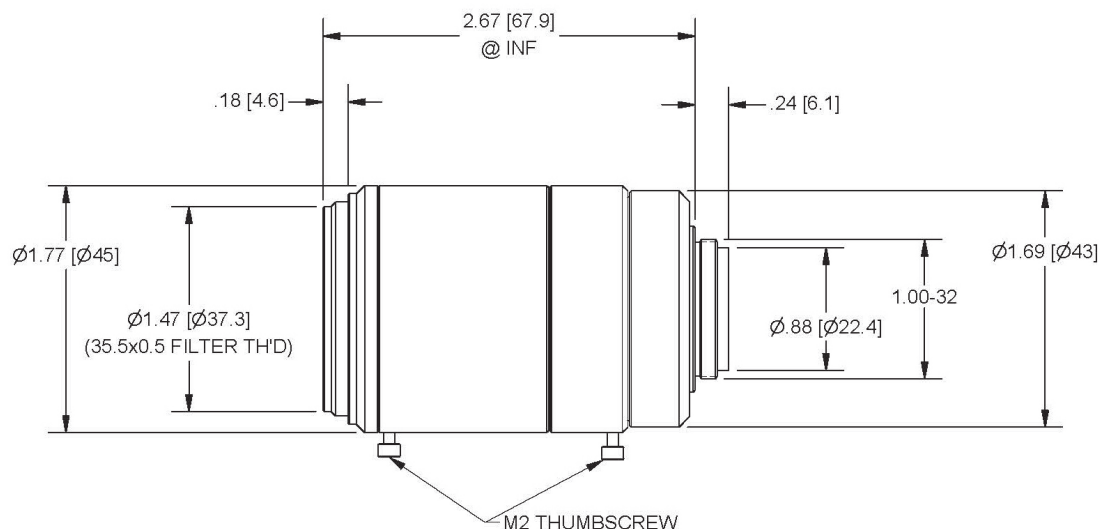
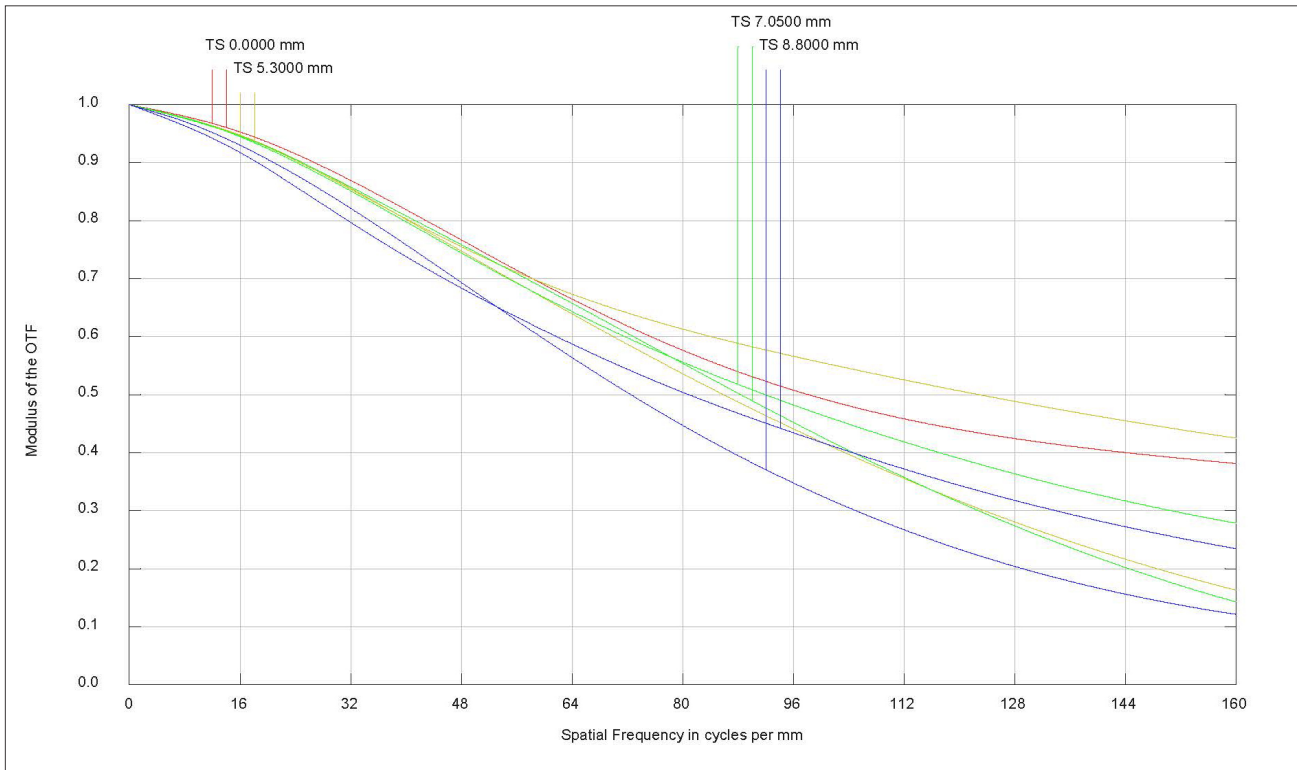


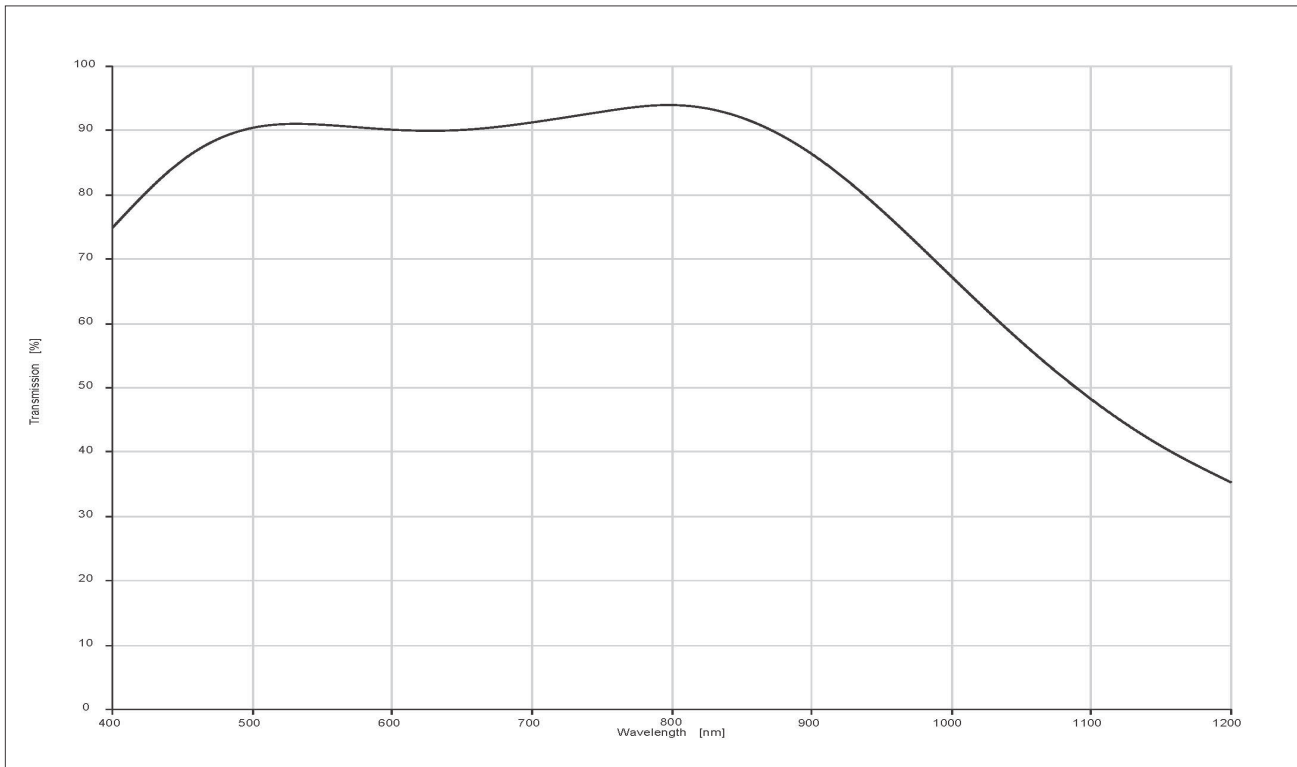
Specifications		1.1"
Focal Length		25mm
Image Range		F/1.8 - 16
Image Size		14.1 x 10.6 (Ø17.6)
Field Angle H x V (Diagonal)	1.1"	31.5° x 23.9° (38.8°)
	1"	28.7° x 21.7° (35.5°)
	2/3"	20.0° x 15.0° (24.8°)
TV Distortion		-0.3%
FOV at MOD (mm) H x V (Diagonal)	1.1"	64 x 48 (80)
	1"	58 x 44 (73)
	2/3"	40 x 30 (50)
Minimum Focus Distance		0.1m
Flange Focus		17.526mm in air
Back Focus		13.3mm in air
Filter Screw Size		M35.5x0.0.5
Clear Aperature - Front / Rear		Ø29.0mm / Ø18.4mm
Mount		C-Mount
Exit Pupil		-67.7mm
Temperature Range		- 10 ~ + 50° C
Storage Temperature Range		- 20 ~ + 60° C
Resolution - Center / Corner		160 lp/mm / 100 lp/mm
Weight		220g



MTF



Transmission



For information on our full line of NMV machine vision lenses please visit <https://www.navitar.com/NMV/>