



JetCam 25

JetCam 25

High Quality, POV Camera

Innovative Approach

JetCam 25 is a low-cost, global shutter CMOS camera with a CLHS interface which supports 25 Megapixels (5120x5120) high quality video at rates up to 80fps.

Intelligent Design

The Camera incorporates a 4.5 μm global shutter sensor and a direct lens control (optional) without need of external devices. With compact outline and low power design this camera can be fitted into tight spaces. The 3G SDI output enables connection of local monitor as viewfinder or an installation aid.

Applications:

- Slow Motion
- 3D Applications
- Sports Broadcasting
- Sport analytics
- Special effects

Key Features:

- 25 Megapixel up to 80 fps
 - 40 Gbps fiber optic interface
 - 25 Gbps CoaXPress
 - Up to 10 km cable length
 - 3G SDI output for local monitoring
 - Wide variety of supported lens mounts
 - B4 2/3" mount with integrated lens control*
 - Compatible with KAYA Vision Point™ SDK
 - Compatible with KAYA Komodo™ Frame Grabbers
 - Customization as per user requirements
- * Lens control is optional

Technical Data

Feature	Description
Pixel Size	4.5 μm x 4.5 μm
Resolution	5120 (H) x 5120 (V)
Optical Format	APS-H
Sensor	PYTHON 25K
Video Output	CLHS up to 40 Gbps for QSFP+ CLHS up to 20 Gbps for Dual SFP+ CoaXPress up to 25Gbps (optional) 10GiGE up to 10Gbps (optional)
Complimentary Video Output	3G SDI
Output Resolution	8 or 10 bit
Max Frame Rate	80 fps @ full resolution
Image Acquisition	Continuous / Triggered
Electronic Shutter	Global shutter
Monochrome/ Color	Monochrome / Color
Responsivity	5.8 V/Lux's @ 550nm
Conversion Gain	0.085 LSB10/e-, 130 V/e-
Parasitic Light Sensitivity (PLS)	< 1/5000
Pixel FPN	< 0.9 LSB10
MTF	68% @ 535 nm – X-dir & Y-dir
Temporal Noise	< 14 e- (Non-Zero ROT, 1x gain)
Full Well Charge	8000 e-
Dynamic Range	54.63 dB @ 520 nm
Signal-to-Noise Ratio (SNR Max)	39.28 dB @ 520 nm
Quantum Efficiency (QE) X FF	43% @ 520 nm
Dark signal	3.9 e-/s, 0.33 LSB10/s @ 20°C
PSNL	91 LSB10/s, 1100 e-/s (30ms time intervals) @ 20°C
PRNU	< 4.9%
Shortest Exposure	1 μs
Programmable I/O	2x RS232 (RS485 optional)
Windowing	32 Randomly programmable windows. Normal, sub-sampled and binned readout modes
On Camera Processing	<ul style="list-style-type: none"> ▪ Defect pixel correction ▪ ROI ▪ Frame counter ▪ LUT ▪ Auto black level ▪ Auto/Manual White balance ▪ Image flip ▪ Flat field correction ▪ Gain (Analog/Digital) ▪ Nonvolatile storage
Lens Control (Optional)	<ul style="list-style-type: none"> ▪ Fujinon lens control ▪ Custom lens control through RS232/RS485 ▪ Birger lens control

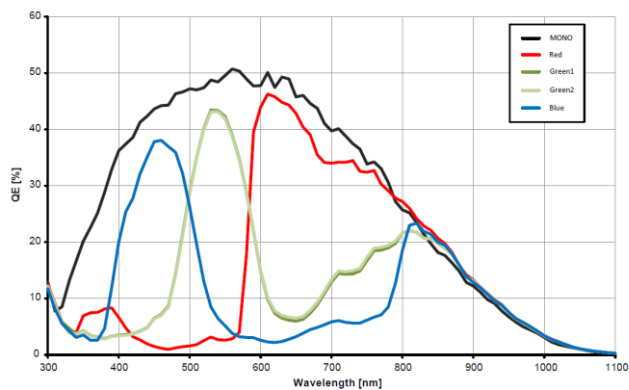
Mechanical & Electrical

Feature	Description
Dimensions (including lens mount)	61.8 mm x 62.4 mm x 157 mm (Height x Width x Depth)
Lens Mount	F-Mount, B4, C-mount, Canon EF-mount, Birger EF-mount, PL mount
Weight (without Lens)	~1260g
Power Input	12 VDC (optional 24 VDC)
Power Consumption	< 18W
Operating Temperature	-10 °C to 50 °C, 10-90% humidity (non-condensing)
Storage Temperature	-10 °C to 55 °C, 10-90% humidity (non-condensing)

* KAYA Instruments reserves the right to update the data sheet from time to time without prior notice.

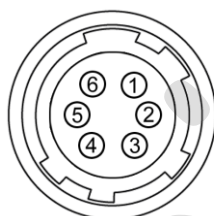
Quantum Efficiency

Quantum Efficiency, Mono & Color



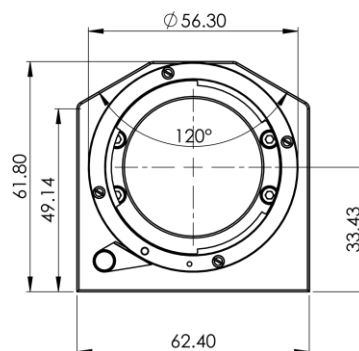
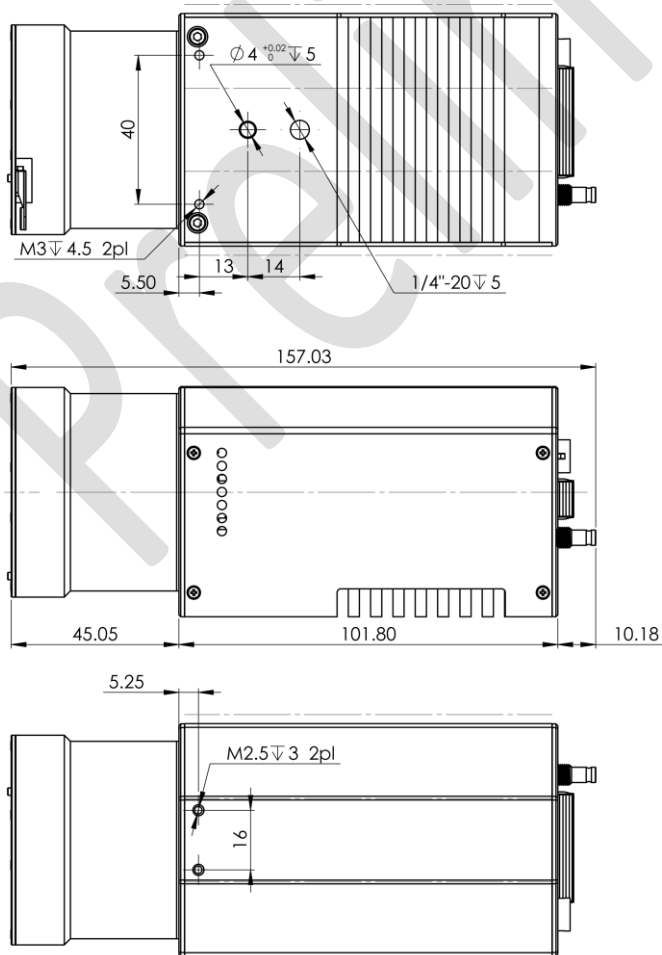
General Purpose Input Output

GPIO Pinout – 6 Pin Connector

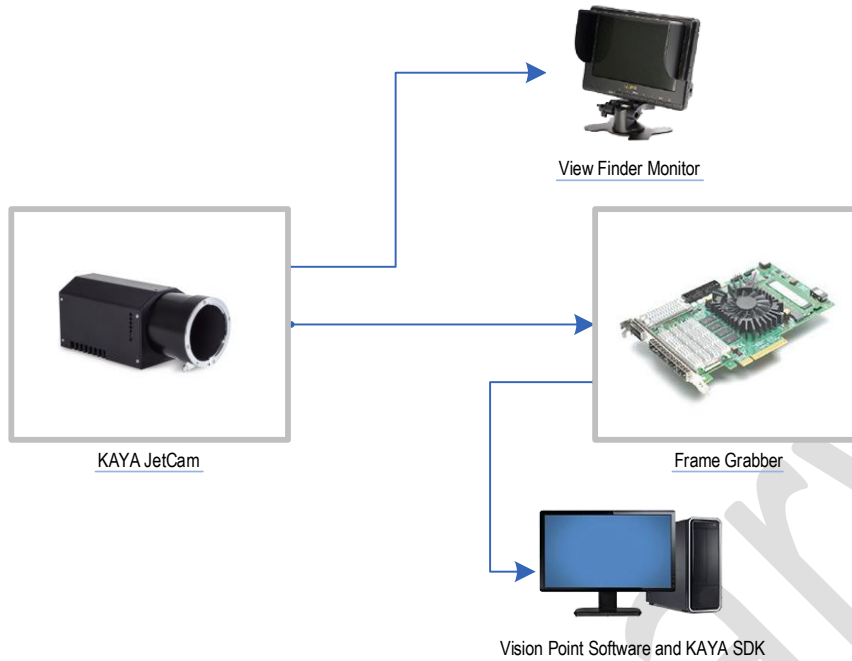


- 1. Ground
- 2. RS232 TX1
- 3. R232 RX1
- 4. R232 TX2
- 5. RS232 RX2
- 6. 12V (Output)

Mechanical Drawings



KAYA High Speed Camera Workflow



Compatibility

KAYA Instruments creates and maintains compatibility and interfaces for the most common and advanced vision image processing libraries and applications. Major support is available for **MVTec Halcon**, **National Instruments' LabVIEW** and **MathWorks' MATLAB**.

❖ Supported vision standards:



❖ Supported vision libraries:



❖ Supported operating systems:



Please check our website for an up-to-date list of other supported libraries and software package

Contact Us

Please feel free to contact our team with any question or further inquiry at info@kayainstruments.com – we will be happy to provide assistance and consultation.

KAYA Instruments

20 HaMesila St., Nesher 3688520, Israel
POB 25004, Haifa 3125001, Israel

Tel: +972-72-272-3500
Fax: +972-72-272-3511



© 2017 KAYA Instruments, Inc. All rights reserved. KAYA Instruments, the KAYA Instruments Komodo logo, JetCam logo, Predator, Iron and combinations thereof are trademarks of KAYA Instruments, Inc. in the United States and/or other jurisdictions. Microsoft Windows is a registered trademark of Microsoft Corporation. Other names are for informational purposes only and may be trademarks of their respective owners. KAYA Instruments is not liable for harm or damage incurred by information contained in this document

