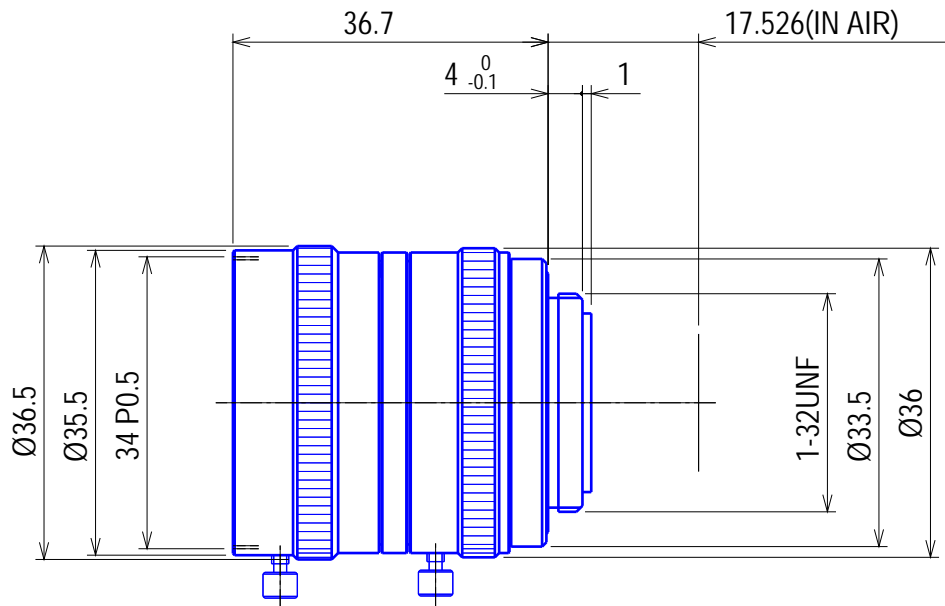


SWIR Lenses

Item No. GMG42514MCN-SWIR



ITEM NO.		GMG42514MCN-SWIR
Focal Length		25.0 (mm)
Iris Range		F1.4 - Close
Angle of View (H x V x D)	1"	28.7° x 21.7° x 36.0°
MOD		0.5 (m)
Filter Thread		M=34 , P=0.5
Dimention (D x L)		Ø36.5 x 36.7 (mm)
Weight		110 (g)