

# FLIR GAZELLE<sup>®</sup>

## CAMERA LINK

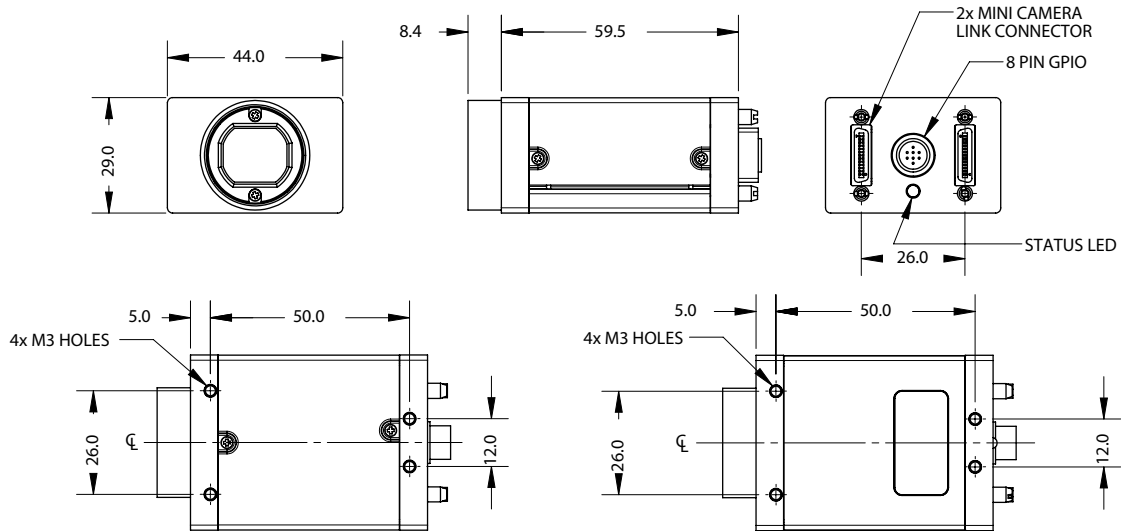


### HIGH FRAME RATES + HIGH RESOLUTION

The Gazelle series of Camera Link cameras delivers an unsurpassed combination of size, speed, and price. The Gazelle is based on the same compact form factor as the popular Grasshopper camera and is designed to accommodate a large selection of high resolution, high frame rate image sensors.

### KEY FEATURES

- CMOSIS sensors, 2 MP at 280 FPS and 4 MP at 150 FPS
- Camera Link Base, Full configurations
- Compact 44 x 29 x 58 mm case with C-mount lens holder



## Specifications

<b>GZL-CL-22C5M-C</b>	Mono	2.2 MP	<ul style="list-style-type: none"> <li>CMOSIS CMV2000 CMOS, 2/3", 5.5 <math>\mu</math>m</li> <li>Global Shutter</li> <li>2048 x 1088 at 280 FPS</li> </ul>
<b>GZL-CL-41C6M-C</b>	Mono	4.1 MP	<ul style="list-style-type: none"> <li>CMOSIS CMV4000 CMOS, 1", 5.5 <math>\mu</math>m</li> <li>Global Shutter</li> <li>2048 x 2048 at 150 FPS</li> </ul>
<b>A/D Converter</b>	10-bit		
<b>Image Data Output</b>	8-bit (Full 8-tap mode) or 10-bit (Base 2-tap mode)		
<b>Image Data Formats</b>	Mono8, Mono10		
<b>Partial Image Modes</b>	Single or multiple region of interest modes		
<b>Image Processing</b>	Gain, Black Level, Pixel Defect Correction		
<b>Gain</b>	Analog and digital programmable via software 32-64 dB (analog); 1-63 dB (digital)		
<b>Digital Interface</b>	Camera Link LVDS for camera control and video data transmission; Base (2-tap) and Full (8-tap) configurations		
<b>Transfer Rates</b>	2.38 Gbits/s		
<b>GPIO</b>	8-pin Hirose HR25 GPIO connector; opto-isolated pins for trigger and strobe		
<b>External Trigger Modes</b>	Single-shot, bulb shutter trigger mode		
<b>Synchronization</b>	Via external trigger or software trigger		
<b>Shutter</b>	Global Shutter		
	Manual 74.175 $\mu$ s - 54 s (Full 8-tap mode)		
<b>Memory Channels</b>	2 memory channels for custom camera settings		
<b>Flash Memory</b>	4 MB		
<b>Dimensions</b>	44 mm x 29 mm x 59.5 mm excluding lens holder, without optics (metal case)		
<b>Mass</b>	90 grams (without optics or tripod mounting bracket)		
<b>Power Consumption</b>	12 V +/- 10%, 6 W		
<b>Camera Specification</b>	Camera Link		
<b>Camera Control</b>	Via software instruction set		
<b>Camera Updates</b>	In-field firmware updates		
<b>Lens Mount</b>	C-mount		
<b>Temperature</b>	Operating: -10° to 50°C; Storage: -30° to 60°C		
<b>Emissions Compliance</b>	CE, FCC, RoHS		
<b>Operating System</b>	XP, Vista, Windows 7		
<b>Warranty</b>	Three years		

### FLIR Integrated Imaging Solutions

**CANADA**  
12051 Riverside Way  
Richmond, BC, Canada  
V6W 1K7  
T: +1 866.765.0827 (toll free)  
T: +1 604.242.9937  
F: +1 604.242.9938  
E: mv-sales@flir.com  
www.flir.com/iis

**USA**  
T: +1 866.765.0827 (toll free)  
E: mv-na-sales@ptgrey.com

**EUROPE**  
T: +49 7141 488817-0  
F: +49 7141 488817-99  
E: mv-eusales@flir.com

**CHINA**  
T: +86 10 8215 9938  
F: +86 10 8215 9936  
E: mv-chinasales@flir.com

**ASIA**  
E: mv-asiasales@ptgrey.com

### DISTRIBUTORS

**JAPAN**  
ViewPLUS Inc. (www.viewplus.co.jp)

**KOREA**  
CYLOD Co., Ltd. (www.cylod.com)

**CHINA**  
LUSTER LightVision (www.lusterinc.com)

**SINGAPORE, THAILAND, MALAYSIA**  
Voltrium Systems (www.voltrium.com.sg)

**TAIWAN**  
Apo Star Co., Ltd. (www.apostar.com.tw)

**UNITED KINGDOM AND IRELAND**  
ClearView Imaging (www.clearviewimaging.co.uk)

©2017 FLIR® Integrated Imaging Solutions Inc. All rights reserved. Names and marks appearing on the products herein are either registered trademarks or trademarks of FLIR® Systems, Inc. and/or its subsidiaries.